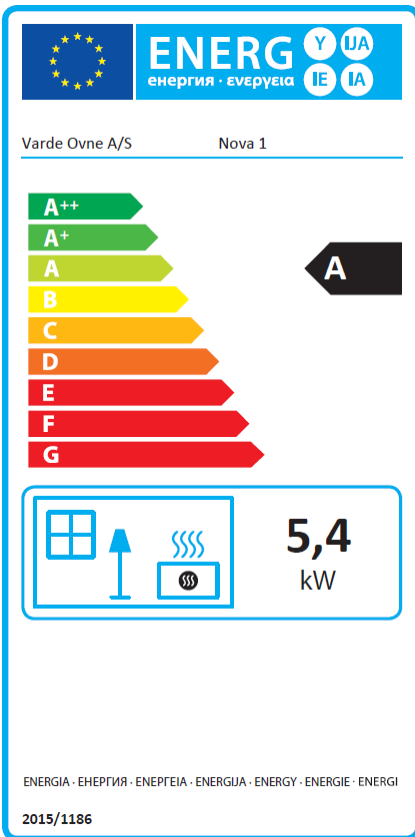


Varde Nova 1

Installation and User guide

Revision 1



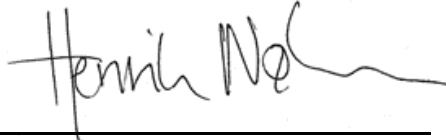
VARDE OVNE

Pottemagervej 1, 7100 Vejle, Denmark. www.vardeovne.dk

Congratulations on the purchase of your new wood-burning stove from Varde.

Wood-burning stoves from VARDE stand on the stylistic bedrock of Scandinavian design – created with the ambition of unifying quality, functionality and design.

With a VARDE stove, you and your family are ensured a warm gathering point and tranquil quality moments for many years into the future.

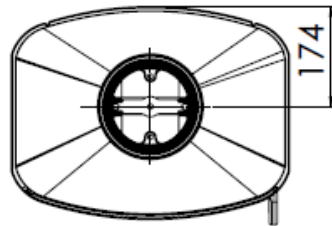
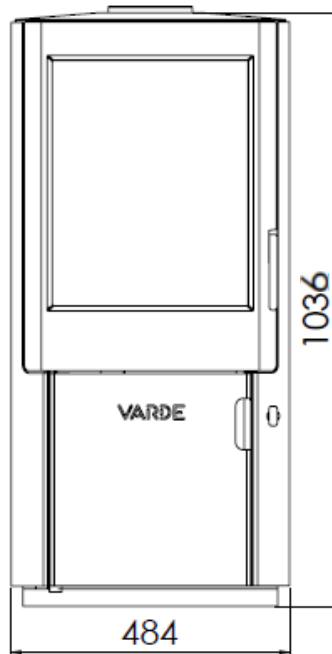
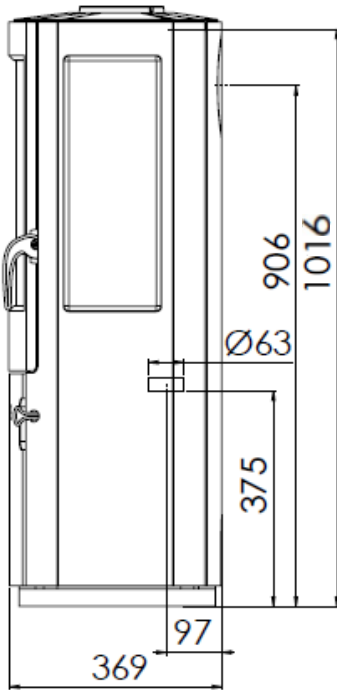


Henrik Nøhr
CEO
Varde Ovne A/S

Index

Welcome and index	Page 2
Technical specifications Nova 1	Page 3
Regulations and approval	Page 4
Flooring and distance	Page 5
Chimney	Page 6
Air supply	Page 7
Operation	Page 8
How to light and stoke a fire	Page 9
List of accessories	Page 10
Vermiculite	Page 11
How to choose the wood	Page 12
Maintenance	Page 13
Troubleshooting	Page 14
Spare Parts and rear connection of flue pipe	Page 15
Fresh Air supply	Page 16
DOP	Page 17
Warranty	Page 18

Technical Specifications Nova 1



Model Nova 1

Height (mm)	1036
Wide (mm)	484
Depth (mm)	369
Weight (kg)	103
Effect	3-6 kW
Nominal Output	5,4 kW
Heated area	30-105m ²
Efficiency	76%
EEl	101
Flue gas data: 5,9 g/sek., 286°C ved 20°C,	
12 pa.	

Combustion chamber: (H x W x D):
380 x 350 x 250mm

Flue outlet Ø 15 cm

Installation height top: 102cm

Installation height rear: 91cm

Distance to non-flammable: : 5-10cm
(recommended)

Distance to flammable materials:

Rear = 25cm, Sides = 40cm, In front = 100cm

Important!

Before lighting up your **Varde Stove** for the first time, we recommend that you read these instructions carefully and contact your local stove vendor or building authorities to inquire about existing regulations regarding the installation of stoves. Please follow these regulations closely.

Inspection of installation

It is very important that the installation is inspected by a qualified chimney sweeper before the stove is used the first time.

This Varde Stove

Has passed the Danish /European Standard DS/EN 13240 Norwegian (NS) and the German (Stufe 2) test , and have thereby proved to be an environmentally friendly product.

Regulations

All local regulations as well as National and European, should be adhered to when installing your stove.

All Varde Ovne stoves are closed fireplaces.

The stove is designed for intermittent combustion and can be connected to a chimney used by other fireplaces, as long as the appropriate rules and regulations are adhered to.

Professional installation

We recommend that you consult with the dealer where you purchased the stove or another competent installer, as there may be specific things to consider during the installation. You should also observe the applicable rules for installing the stove and follow them.

Please Note!

You are by law required to register your stove at the local chimney-sweeper.

Until installation keep the stove dry and not too cold. The stove cannot stand moisture. That an existing chimney, not necessarily is effective enough for a new modern stove. Vermiculite is a very porous material, therefore handle with care. When refilling the stove, put the wood carefully, use the glove.

EC declaration of conformity.**MANUFACTURER**

Name:
Address

Varde Ovne A/S
Pottemagervej 1, 7100 Vejle, Danmark

Test Center

Name:
Address:
Notified body number

Technology institute
Kongsvang Alle 29, 8000 C Århus, Danmark
1235

Product

Type code
Standard

Varde Nova 1
Heating stove, suitable for intermittent combustion
Construction products (89/106/EC/) standard used
EN 13240

Application
Fuel
Special conditions

Residential Heating
Wood
Non

CE-Markning

Issued
Nominal Output
Fuel type
Fluegas temperature
Efficiency
Co-release

2020
5,4 kW
Wood
286 °C
76 %
0,10 %



Henrik Høhr
CEO
Varde Ovne

Flooring:

If the floor on which the stove is to be placed is inflammable, the floor must be covered with non-flammable material, such as steel or glass plate, floor tiles or artificial slate, covering an area of at least 15 cm from the sides of the stove and at least 30 cm from the front of it. Regarding the front, however, we recommend 50 cm. Also, the Floor construction must be capable of carrying the combined weight of stove and chimney.

Weight		Steel
Varde Nova		103 kg

Installation distance:

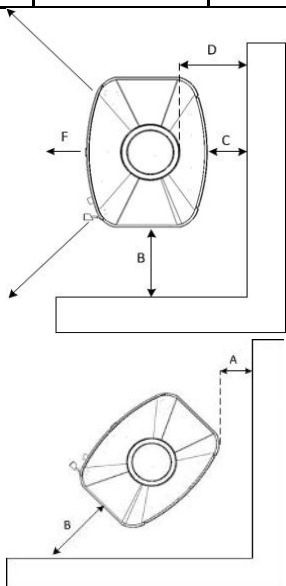
If walls are non-inflammable, the stove can be placed closer to them. However, we recommend a minimum distance of 5-10 cm, to allow for cleaning behind the stove. The cleanout gate must be accessible. Optimal combustion can only be obtained if fresh air is constantly admitted. It is important, therefore, to ensure that this is the case. The best way to provide a steady flow of fresh air is by installing 1-2 air vent's in the room where the stove is situated. (One in each side of the room).

According to existing regulations, stoves must be placed with the following minimum distances in mm to inflammable walls and materials.

NB: Note that D(from chimney to the wall) is a recommendation. There may be different local/national rules.

Varde Uniq

A	250 mm	C	250 mm
B	400 mm	D	450 mm
F	1000 mm	E	750 mm

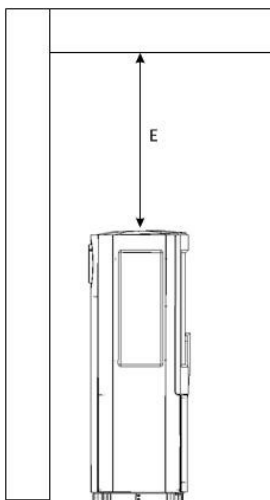


The stove must in accordance with applicable rules comply with the following minimum distances from inflammable walls and materials:

Sides : 40 cm

Rear : 25 cm

Distance to furniture : 100 cm



The chimney:

Always use a chimney with a diameter of at least 15 cm. This corresponds to a clear of 175 cm². Make sure the chimney is of a sufficient height, that it draws well and that smoke does not bother your neighbours.

We recommend that you fit your chimney with a damper, allowing for draft control. This may prove particularly important on windy days.

Note: the damper must never shut off draught completely – always allow at least 20 cm² free passage through the chimney.

With nominal usage the stove has tested a flue gas flow of 5,9 g/second and with a flue gas temperature of 286°C and at a room temperature of 20 °C.

Varde stoves are always fitted with a smoke plate which redirects smoke to make its way to the chimney as effectively as possible. This ensures that the heat from the smoke is emitted inside your home rather than outside it. The smoke plate is moveable and placed in top of the Combustion Chamber. You should make sure that it is pushed all the way back against the back wall of the combustion chamber.

New chimney

If you shall install a new chimney, it is recommended to consult your local chimneysweeper, as there can be specific local circumstances that can have influence on the height or routing of the chimney. You can find inspiration, and common guideline on www.vardeovne.dk

Is my existing chimney good enough?

The chimney is the motor of the stove, the chimney is driven by heat, so it is important that you have a well function chimney in order for the stove to work properly.

A modern wood burning stove puts up higher demands for the chimney than older stoves. A modern stove burns both cleaner and more efficient than older stoves, the higher efficiency will give more heat in your living room for the same amount of firewood. The higher efficiency of a modern stove also have that effect, that there are used less heat to generate draft your chimney.

It can be a possibility that your old chimney will not be able to build up a sufficient draft to run a modern clean burning stove, be course of the lesser heat lead into to the chimney.

This may occur with shorter or older brick chimneys, especially without an insulating core.

It is very rare that a steel chimney or modern insulated brick chimney not will be sufficient.

Typical effects of insufficient draft, smoke come out when door is opened and soot on the glass.

If you have a chimney with draft problems, a draft booster could be a solution.

It is recommended that you consult with your local chimneysweeper for more specific advice.

For rear connection of flue pipe see page 15

Information about the new cast iron adapter

Your stove is equipped with the new cast iron adapter from Varde Ovne.

The adapter is suitable for smoke pipes with inner diameter on 150 mm.

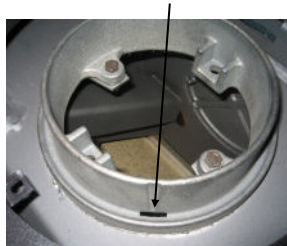
If you need it, it's now possible for you to make a condensate drain-hole in the adapter.

Carefully punch a chisel or the like through the bottom of the outer groove (at the arrow mark). This way you can establish a condensate drain hole in the adapter if needed

Arrow mark for the hole.

Carefully punch a hole with a

Now the condensate – hole is

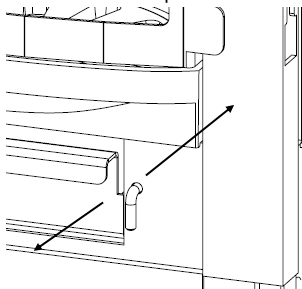


Continual fresh air

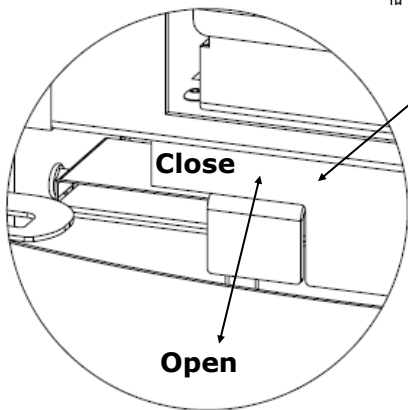
A continual supply of fresh air is required in the room in which the stove is situated. This can be achieved by installing 1-2 vents, whilst also ensuring that these can not be blocked. The quantity of air used for burning, is approx. 20 m³ / h.

The Shake grate

The Shake grate is situated at the bottom of the fire-chamber. By moving the handle the ashes will be shaken into the ashpan.



The Shake grate is operated by moving the handle in and out .

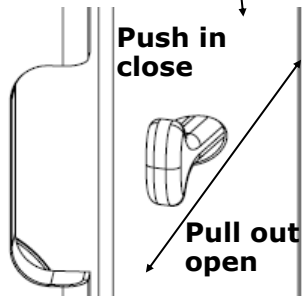
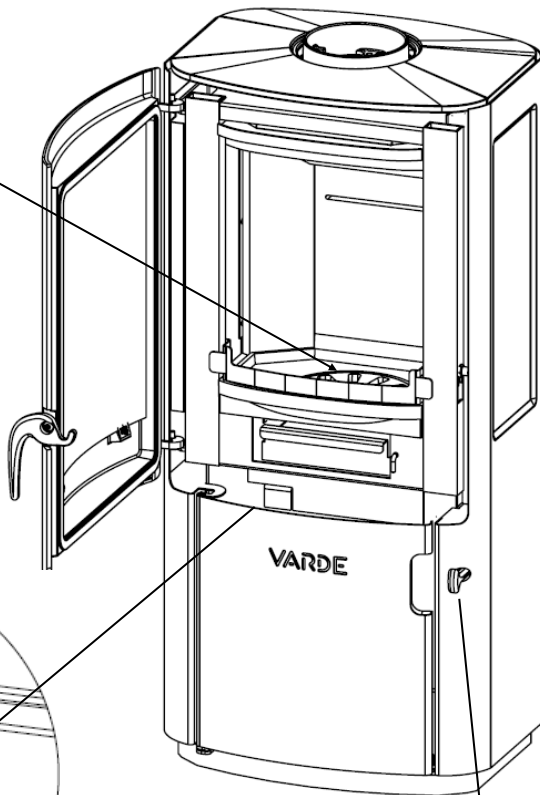


Ignition Air

Pull the handle towards yourself to open.
The Air Regulator is situated on the rear side of the combustion chamber.
Push the handle in when fire has a good grip to close the Air Inlet.

Overheating

Occurs if too much wood is placed in the stove or if the Fire receives too much air.



Running the stove after ignition

pull the handle towards you to open for the air.
Push the handle away from you to close for the air.

How it works

Start

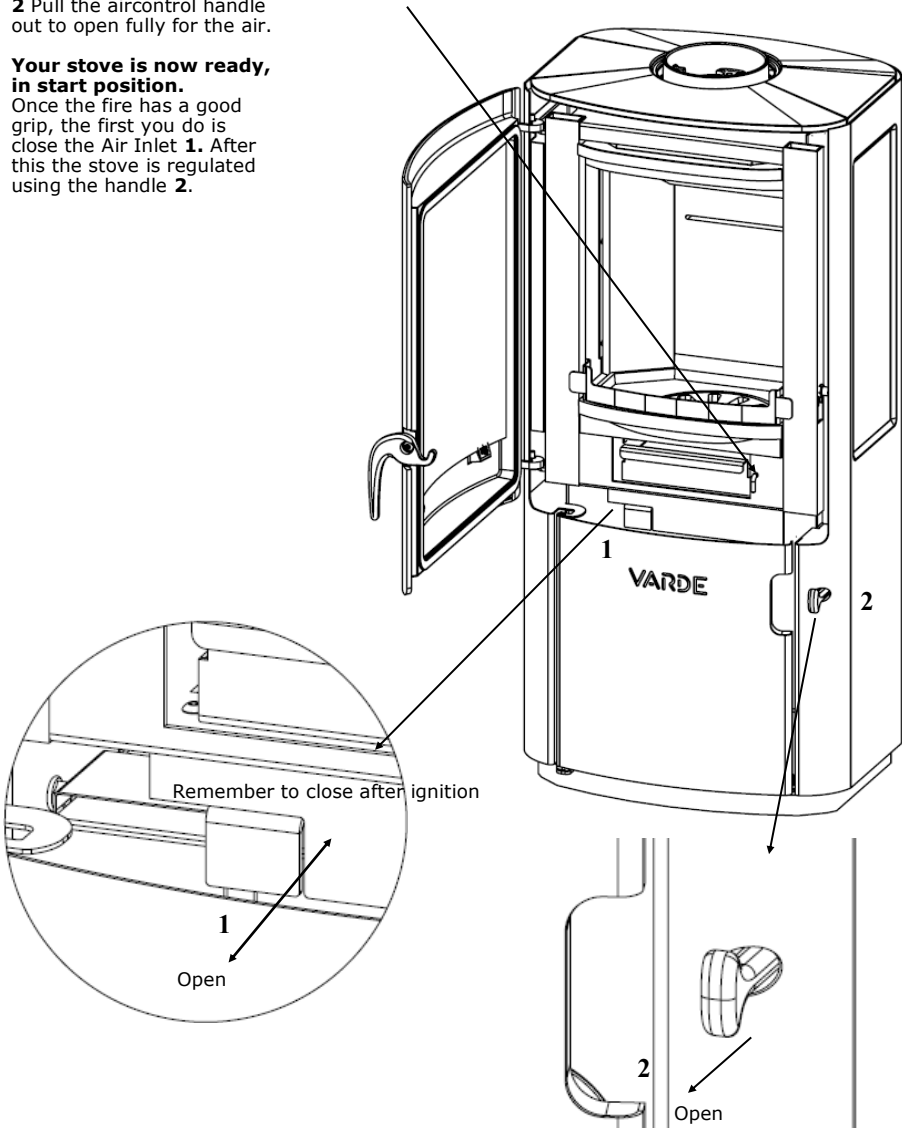
- 1 Pull the handle towards yourself to open the Air Inlet.
- 2 Pull the aircontrol handle out to open fully for the air.

Your stove is now ready, in start position.

Once the fire has a good grip, the first you do is close the Air Inlet **1**. After this the stove is regulated using the handle **2**.

Shake grate.

The Shake grate is placed in the bottom of the chamber.
During normal operation, the Shakegrate must be closed.



Pull the handle towards you to open for the air.
Push the handle away from you to close for the air

How to light and stoke a fire

The first time you light up the stove, the enamel will temper and give off some smoke and a slightly burnt smell. We recommend that you leave doors and windows open, as airing the room will make the smell disappear.

This tempering softens the enamel, making it susceptible to damage. Therefore exercise caution and avoid touching the enamel. We also recommend opening the door to the stove at regular intervals during the first couple of hours to prevent the rope seal from sticking to the enamel.

Never use highly flammable liquids such as methylated spirit or petrol for lighting up!

We recommend using 'top-down' lighting, where you light the wood at the top of the combustion chamber and not at the bottom. This is the most environmentally friendly method to light a fire. The method will also help keep the glass clean. Place two small logs on the bottom plate of the combustion chamber (approx. 0,5– 0,8 kg) with a small distance between each log. Place 10 – 15 smaller sticks (approx. 0,8-1,2 kg) in a cross on top of the logs, and 2 – 3 firelighters at the top and in between the sticks.

A thin layer of ash at the bottom of the stove makes it easier to light the fire.

Before lighting the stove, (See page 10 for how)

Once the Fire burns, remember to close the Air Inlet again. Otherwise, the stove and chimney might become overheated, which would invalidate the warranty.

A slight amount of soot may build up on side glass during the start-up fire. This is normal and vanishes after a period.

Once the kindling has reduced to embers, we recommend opening the door slightly for a couple of seconds to neutralise the negative pressure in the combustion chamber before opening the door completely.

Place 2 to 3 logs in a cross on top of the embers (approx. 1.2 kg) and close the door again. To make sure the wood ignites quickly, we recommend briefly opening the ignition air vent and make sure you remember to close it again once the fire gets going. You can then adjust the combustion air according to your heating requirements.

Take care not to shut off the air supply completely, otherwise the fire will die. The fire should always burn bright and clear.

In most instances, however, you will have to identify the **best combustion air settings** yourself, as the height and draught of your chimney as well as the quality of the firewood are decisive factors in determining the best settings for your particular stove.

If the nominal heat output of your stove is too high compared to your heating requirements, you can reduce the output as follows:

- Stoke a smaller amount of wood than usual, for example 1 kg, preferably consisting of 2 – 4 smaller pieces of wood. Apply full air to ignite the wood properly before reducing the combustion air, perhaps down to approx. 40%. Be careful not to reduce the air supply to the point that the fire dies. The fire should always burn bright and clear.

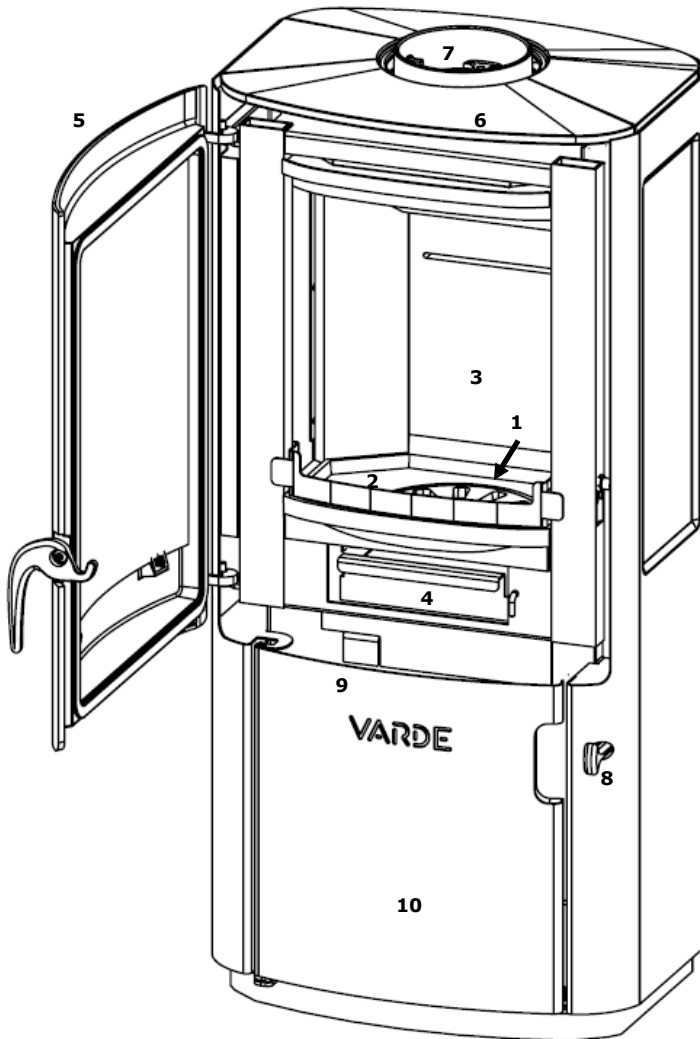
With this method it is possible, depending on the chimney, wood quality, etc., to reduce the stove's heat output from a nominal 5,5 kW down to perhaps 3,5 kW.

Please be aware that it can lead to poor combustion if you reduce the combustion air too much, resulting in a lower efficiency and increased emission levels (increased pollution).

When refilling the stove with wood, we recommend opening the stove door once only embers are left in the combustion chamber. Opening the door while flames are still burning and producing smoke and gas might cause smoke to escape into the room.

If you have problems lighting or operating the stove, see the section on **Troubleshooting**.

Operation



1. Shake grate
2. Wood catch
3. Vermiculit plates
4. Ash tray
5. Cast iron Door
6. Cast iron Top
7. Flue collar
8. Handle for Air regulation
9. Handle for Ignition Air
10. Storage

Vermiculite

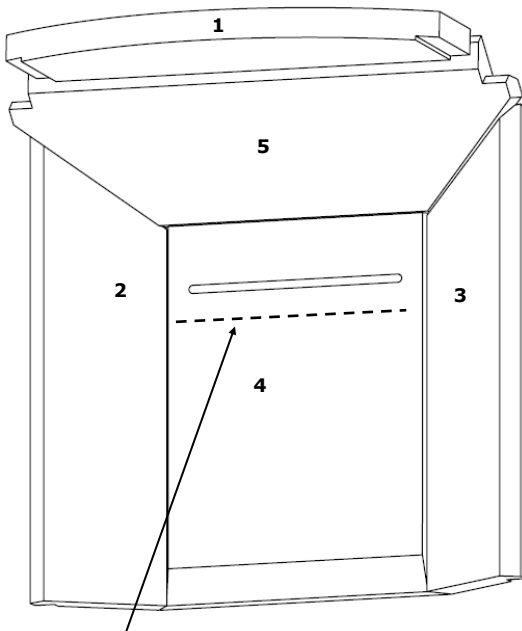
The plates in the combustion chamber are called **vermiculite plates** and will eventually become worn, as will the smoke guide plate. Accidental breakage of a plate, for instance by hitting it hard with a piece of wood, will not affect the quality of the combustion. You do not need to replace the plate until the gap is approx. 5 mm wide.

Vermiculite

A special, non-flammable material that looks like chipboard. The plates act as insulation and at the same time protect the stove against wear and tear. The vermiculite plates and the smoke guide plate are not covered by the warranty.

Vermiculite is a **very porous** material and should be handled with care. When refilling the stove, stoke the wood carefully and use a glove.

Only use original parts from Varde Ovne A/S



**Vermiculit set,
Item no.: 100310**

- 1. Smoke guide plate**
- 2. Left side plate**
- 3. Right side plate**
- 4. Back plate**
- 5. Upper back plate**

Max height of firewood

How to replace the Vermiculite

- 1.** Edge out the smoke guide plate 1
- 2.** Lift up the upper back plate 5, then tilt out the side plates 3 and 4
- 3.** Edge out the upper back plate 5
- 4.** take out the back plate 4

When fitting the new vermiculite plates, begin with the back plate 4 and repeat the steps in the reverse order, finishing with step 1

What kind of wood to use?

Generally, beech wood is considered the best type of wood for burning. It burns evenly without producing much smoke and ashes are clean and take up little space. Ash, birch and maple wood are fine alternatives.



How big the firewood?

Split firewood with a diameter larger than 10 cm. Use firewood with a length on 20-25 cm. The use of larger quantities of fuel than recommended in the tabel below will overtax the stove and resulte in increased temperatures in the chimney as well as a lowered efficiency. This may cause damage to both chimney and stove, and the annulment of the warranty. Also, never use toxic materials such as chipboard, painted or impregnated wood.

Kindling

Lenght: 25 –33 cm
 Diameter: 2-5 cm
 Amount per firing: 1,3–1,7 kg
 (approx. 10-12 finely chopped pieces)

Feeding Wood: Chopped wood

Lenght: 25-30 cm
 Diameter: 6-8 cm
 Normal amount: 1.3 kg/hour (2 to 3 pieces)
 Max amount: 2.0 kg/hour (max 3 pieces per insertion. Max 1.5 kg per insertion)

The new stove

The first time you light up the stove the enamel will temper, and give off some smoke and a slight smell. We recommend that you leave doors and windows open, as airing the room will make the smell disappear. This tempering softens the enamel making it susceptible to damage. Therefore exercise caution and avoid touching the enamel. Likewise we recommend opening the door to the stove at regular intervals for the first hours to prevent the insulations rope from sticking to the enamel.

What to burn.

This Varde Stove is tested and approved for the burning of wood. Only dry wood with a moisture content of maximum 18 percent and the size to fit into the combustion chamber should be used. The burning of moist wood will result in an increased amount of tarry soot, pollution and uneconomic fuel consumption. Newly chopped wood contains about 60-70 percent moisture, which makes it completely unsuitable as fuel. Allow newly chooped firewood to dry in a open shed for a couple of years before using it in the stove.

Do not use! - Consider the environment

Also, never use toxic materials such as chipboard, painted or impregnated wood.

The use of larger quantities of fuel than recommended in the tabel below will overtax the stove and resulte in increased temperatures in the chimney as well as a lowered efficiency. This may cause damage to both chimney and stove, and the annulment of the warranty.

Topdown lightning



The following optimal register and fuel quantity settings are recommended(in case of similar chimney draught):

Fuel Quantity [kg]	Primary Air open [%]	Combustion Air open [%]	Nominal Output [kW]	Chimney Draught [PA]	Efficiency [≥ i %]	Refill interval at nominal output [minuts]
1,3	0 (closed)	ca. 80 (almost open)	5,4	12	76%	ca. 45

Maintenance:

As with anything else that you use on a daily basis, your stove must of course be maintained. You should only clean your stove when it is cold. Wipe the outside using a dry cloth, do not use water or cleaning detergents, it will wear out the heat resistant paint on the stove very fast. You should as well clean it regularly on the inside. The actual combustion chamber should be cleaned of ash and soot remnants. You should also remove the smoke guide plate, because dirt and soot will build up behind it, and check that there is free access through the flue and chimney. You should also check that the gaskets in the door and ash pan are not worn out. If the gaskets do not seal properly, they must be replaced. Remember to lubricate the door hinges and other moving parts as required.

Glass

We recommend the use of VARDE glass cleaner to clean the glass panels; this can be bought from our dealers. Be aware off! If you are using other brands of glass cleaning products then Varde's, must it not contain potassium, this can give a milky white film on the glass there not can be removed.

The **ash pan** must be emptied regularly, and the ash can be disposed of along with your domestic waste. But you must of course make sure that the ash does not contain any embers. If you are unsure about how to clean or maintain your wood-burning stove, contact the dealer who sold you the unit or contact your chimney inspector.

In particular, following a long period of time where you have not used the stove, before using it again you must make sure that there is nothing blocking the flue or the chimney.

Some exposed areas of the **stove's painted surface** can over time become worn out e.g. through cleaning or overheating of the wood-burning stove. However, this can be repaired using a special coating, Senotherm®, which comes in a spray can and can be purchased from your dealer.

The **panels in the combustion chamber** are known as **vermiculite panels** and will become worn over time. If a piece of wood damages a vermiculite panel, it has no effect on combustion. You do not need to replace the panels unless the crack in the panel is more than about ½ cm wide.

Only original spare parts from Varde Ovne A/S may be used.

The door is fitted on a lock spring, which pulls the door in. This is a regulatory requirement in certain countries. The spring is attached to the hinge, and can be removed if you do not wish to have a spring-loaded door.

No unauthorised alterations may be made to the wood-burning stove.

All of the exterior parts of the wood-burning stove will become very hot during use. You should therefore exercise necessary caution.

IMPORTANT!!

Chimney fires

If your chimney catches fire, you must follow this procedure:

- Close all of the air supplies to the stove and telephone **112**.

(Most chimney fires will go out on their own once you have stopped any air from getting into the stove).

As a minimum, you must contact your chimney inspector, who will then inspect the stove and chimney for damage.

Troubleshooting.

Smoke enters the room

- Not enough draught in the chimney.
- Inspect the flue pipe or the chimney for blockage.
- Make sure the **height of the chimney** is correct.

The glass or the chimney soots up

- The wood is too moist.
- Not enough secondary air is supplied to the combustion process.
- You may have shut off the supply of ignition air too soon when lighting the stove.
- There should be clear flames in the combustion chamber at all times.

No heat is emitted from the stove

- The wood is too moist (all energy is spent on drying it) or of a poor quality.
- Inspect the position of the smoke deflector plate and make sure there is free passage for the smoke.
- The amount of combustion (secondary) air is insufficient.

Combustion is too intense

- Rope seals in the door or the ash pan are no longer tight and need replacement.
- The chimney draught is too strong; install a damper in the chimney.
- Check that the ignition air is shut off.

The shaking grate is stuck

- Inspect the grate for jammed wood, nails or the like.
- Make sure the lever is placed correctly.

Recycling



Packaging

For environmental reasons, the packaging should be disposed of together with household waste. The packaging is 100% recyclable.

Ceramic glass

Ceramic glass should be deposited at the local recycling centre (together with pottery and porcelain).

Vermiculite

Vermiculite plates from the stove should be deposited at the local recycling centre.

Spare Parts

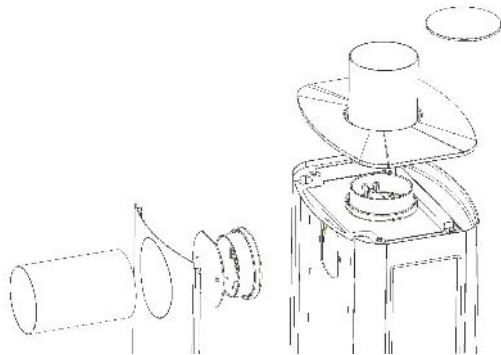
If Spare parts at any time should be needed, please check the list below.

Vermiculit Set Item no.:	100310
Front glass, Item no.:	100284
Glass inside, Item no.:	100285
Glas - Sidepanels, Item no.:	100286
Sealings—Door , Item no.:	100351
Door , Item no.:	100993
Shake Grate, Item no.:	100471
Glass spring with screws, Item no.:	100876
Wood catch, Item no.:	100418
Spring for Door, Item no.:	100241

Connection of Flue pipe:

The Stove is mounted with Flue adaptor on top or on the rear side. When mounting on the rear side the Flue adaptor and cover switch places.

The cast iron cover is placed in the hole on **in** top of the cast iron top.



External air supply

These stoves are specific designed for external air supply. There can be many reasons for the need of choosing an external air supply system, some of the more common reasons are:

- Newer houses there are designed to be low energy houses
- Houses where is not possible to have suffusion fresh air supply to the stove
- Houses with climatic controls

External piping

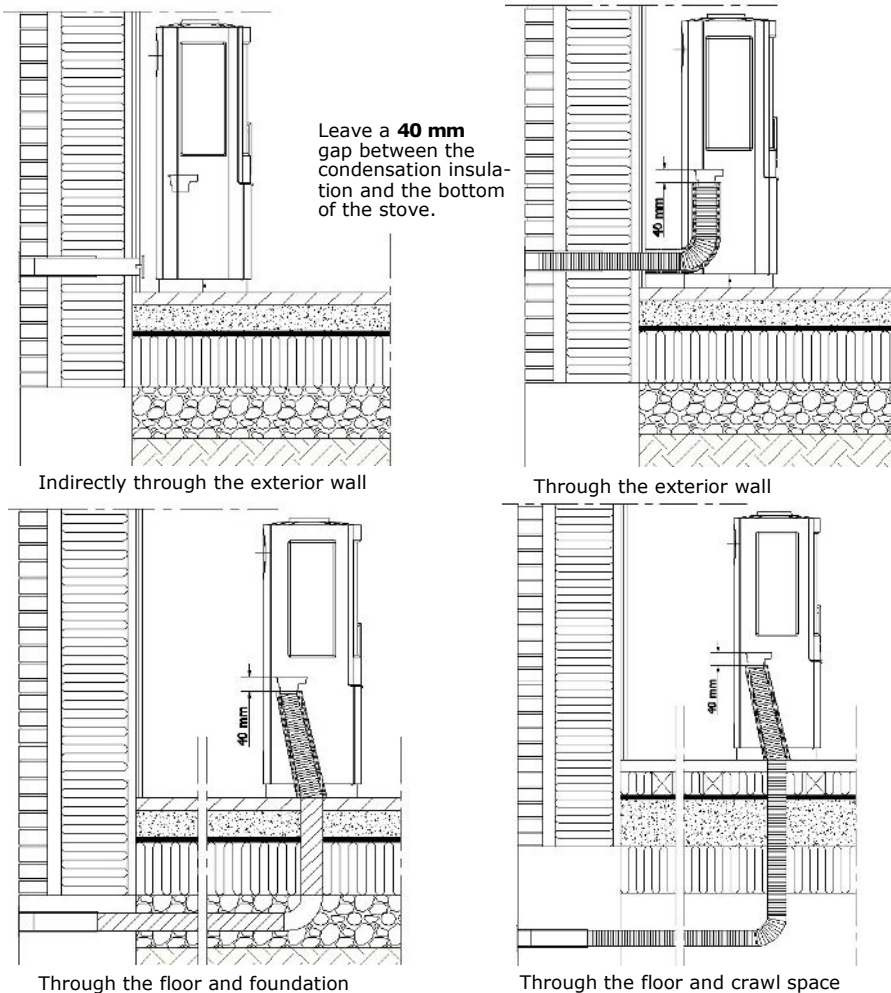
If you have any doubts on how to make the piping through the walls or foundation, we recommend that you consult with a building expert.

It is recommended that the flex hose, which comes from the stove, connects to a smooth pipe as soon as possible. We do not recommend a flex hose longer than 1m.

We recommend that piping are in Ø100mm pipes.

You must be aware that external piping can generate condensation of water, both in the pipes, flex hose and in the stove as well as in the chimney. A way to minimize the effect of the condensation is to have a small outwards decline in the piping, e.g. 2%, and insulating of the piping.

Varde cannot be hold responsible for the external piping, how it is conducted or any side effect it may cause.





TEKNOLOGISK INSTITUT

Akkrediteret prøvningsorgan, DANAK-akkreditering nr. 300
Notificeret prøvningsorgan med ID-nr. 1235

Prøvningsattest IV

Uddrag af rapport nr. 300-ELAB-2521-EN

Emne: Varde Nova 1

Rekvisitent: Varde Ovne AS, Pottemagervej 1, 7100 Vejle

Procedure:

X	Prøvning efter DS/EN13240/A2:2004
	Prøvning efter NS3058-1 & -2 (partikelmåling)
X	Emissionsmåling af støv og OGC

Prøvningsresultater


Akkrediteret prøvning af brændeovn iht. EN 13240 er foretaget med brænde der påfyres manuelt, og følgende resultater blev opnået:

Nominel ydelse:	5,4 kW
CO-emission:	0,0966 % - henført til 13 % O ₂
Virkningsgrad:	76 %
Røggastemperatur:	286 °C
Afstand til bagvæg:	250 mm (normalopstilling mod brandbar væg)
Afstand til sidevæg:	400 mm (normalopstilling mod brandbar væg)

Emissioner iht. NS 3058 og/eller CEN/TS 15883:

Partikler efter NS 3058:	# g/kg (tørstof) middelværdi (krav: ≤4)
Partikler efter NS 3058:	# g/kg (tørstof) maksimalt (krav: ≤8)
OGC efter CEN/TS 15883:	115 mgC/Nm ³ ved 13% O ₂ (krav: ≤120)
Støv efter CEN/TS 15883:	17 mg/Nm ³ ved 13% O ₂ (krav: ≤30)

Bemærk venligst, at de oplyste værdier er et uddrag af prøvningsrapporten.
For yderligere oplysninger henvises til prøvningsrapporten, se nummer ovenfor.

Aarhus, den 9-7-2020  Jes Sig Andersen Seniorspecialist	Skorstensfejerpåtegning
--	-------------------------

På baggrund af ovennævnte emissioner attesteres det hermed, at fyringsanlægget opfylder emissionskravene i bilag 1 til Bekendtgørelse nr. 541 af 27/4-2020 om regulering af luftforurening fra fyringsanlæg til fast brændsel under 1 MW.

Guarantee/Warranty rights

Guarantee

All VARDE wood-burning stoves are subject to close quality control. We take great pride in delivering uniform quality products every time. However, manufacturing defects can occur every now and then, so we offer a 5-year guarantee.

The guarantee on your wood-burning stove does not cover:

- Wear-and-tear parts, such as Vermiculite panels in the combustion chamber, glass panes, seals, handles, cast iron bases and shaker grates.
- Damage caused by improper operation, incorrect connection, lack of or incorrect maintenance (see user manual).
- Overheating/deterioration of materials due to use of e.g. incorrect type of firewood, burning coke or excessive firewood.
- Connection of your stove to a chimney with poor air draw (e.g. a chimney that is too short or with leaks).
- Damage to paintwork due to installation/storage in unheated or humid surroundings or that is due to cleaning with damp cloths and cleaning products.
- All normal wear to wear-and-tear parts/consumables and paintwork.
- Damage that is caused by external forces of physical nature.
- Compensation for any consequential damage, including damage to other objects. Installation and/or disassembly for warranty repairs.

However, we offer a 6-month guarantee on all wear-and-tear parts that are not covered by other guarantees.

For all other products – except wood-burning stoves and wear-and-tear parts – we offer a 2-year guarantee/warranty right pursuant to the Danish Sale of Goods Act.

Warranty rights

You have 2-5-year warranty on all our products, subject to the above conditions. This means that you are entitled to make a warranty claim if the product has errors or deficiencies.

For any deficiencies that are covered by this warranty, upon delivery to the customer, or for deficiencies that arise during the warranty period, VARDE Ovne accepts to either send a suitable replacement component at no charge to remedy the deficiency, to exchange the item, to issue a refund against return of the item or to offer a partial refund depending on the specific situation. VARDE Ovne is under no obligation to assist in the installation/replacement of components.

In addition to the rights conferred by our guarantee, consumers also have rights pursuant to the Danish Sale of Goods Act. These rights are conditional upon the claim being justifiable and that it is not due to incorrect use or other behaviour that has damaged the product.

The claim must be presented within reasonable time of you having noticed the error or deficiency to the product. A claim that is presented within two months of you having noticed the deficiency shall always be considered timely.

*All correspondence concerning warranty claims must be via the dealer from whom you purchased your stove. Please bring your purchase invoice and pictures. Alternatively, you can complete the **warranty claim form** on this website.*

We will require a detailed description of the claim/problem so that we can deal with it quickly and come up with a solution.



Pottemagervej 1, 7100 Vejle Denmark. www.vardeovne.dk